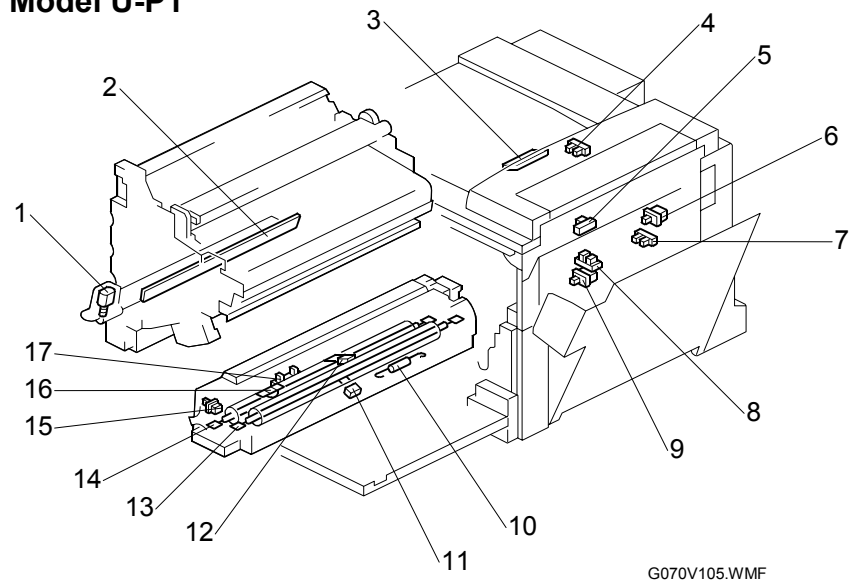
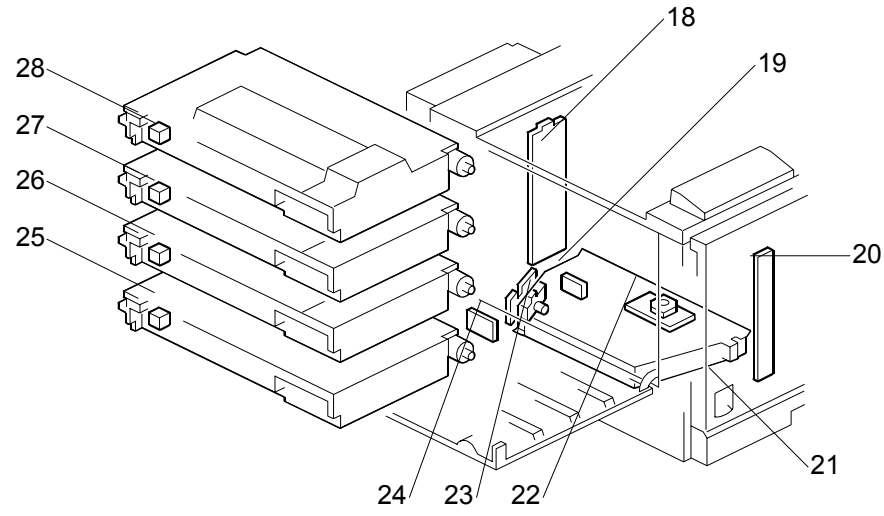


ELECTRICAL COMPONENT LAYOUT MODEL U-P1 (G071)

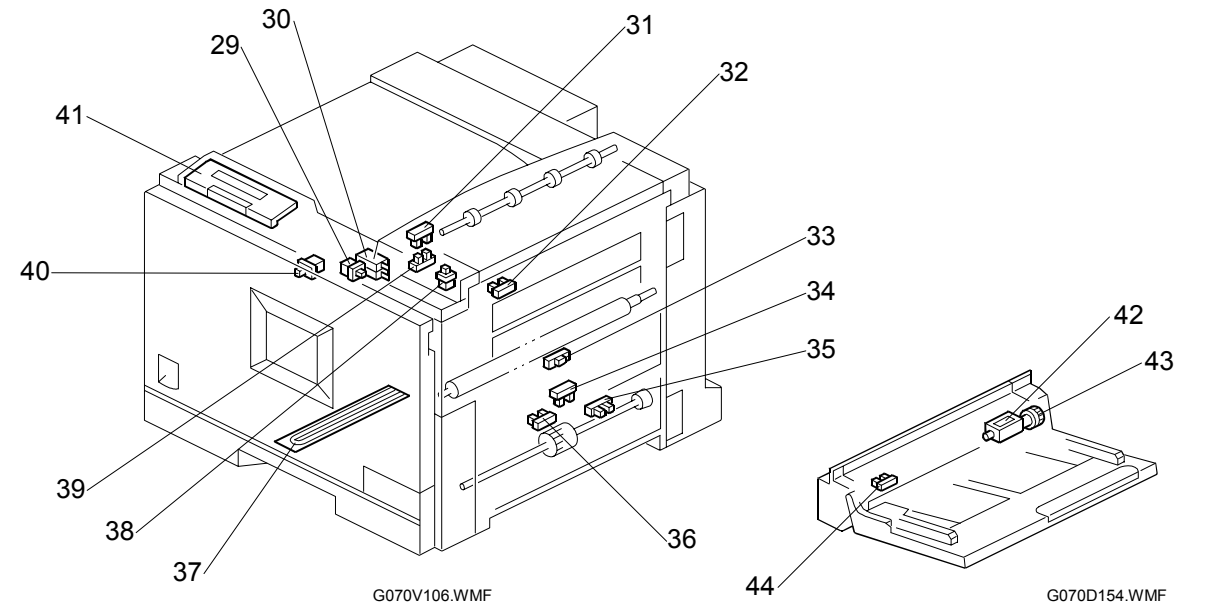
Model U-P1



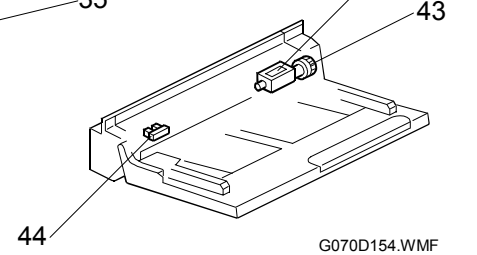
G070V105.WMF



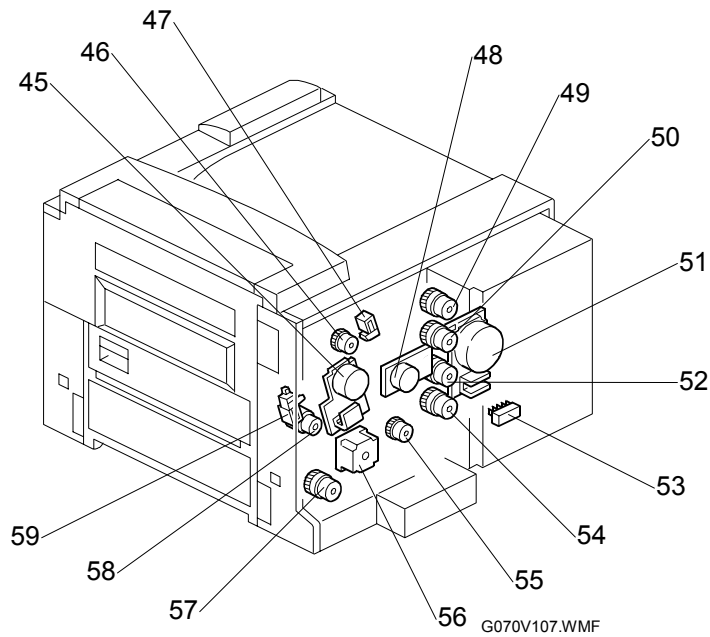
G070V104.WMF



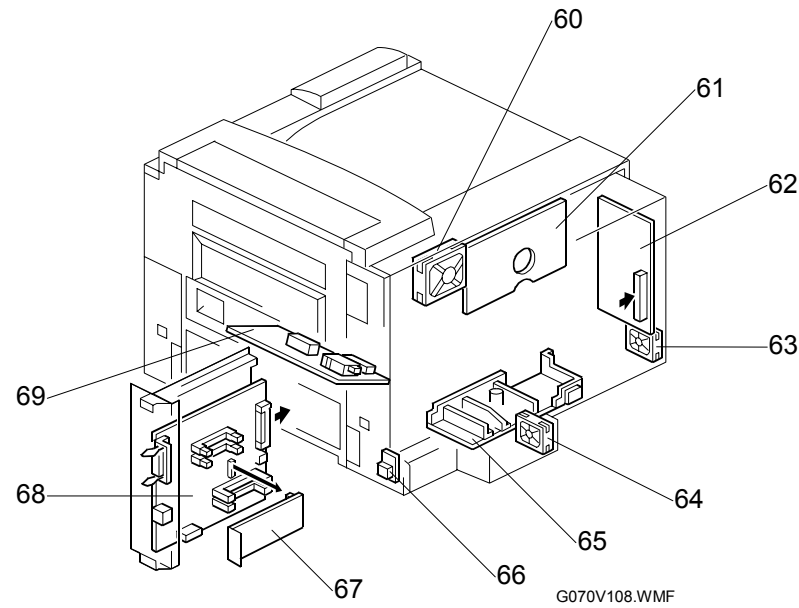
G070V106.WMF



G070D154.WMF

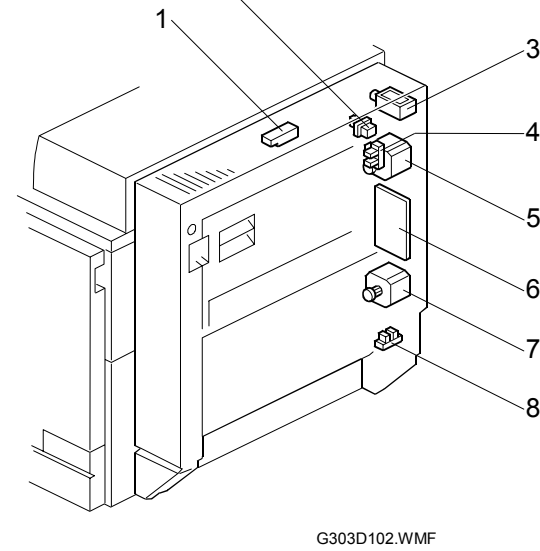


G070V107.WMF



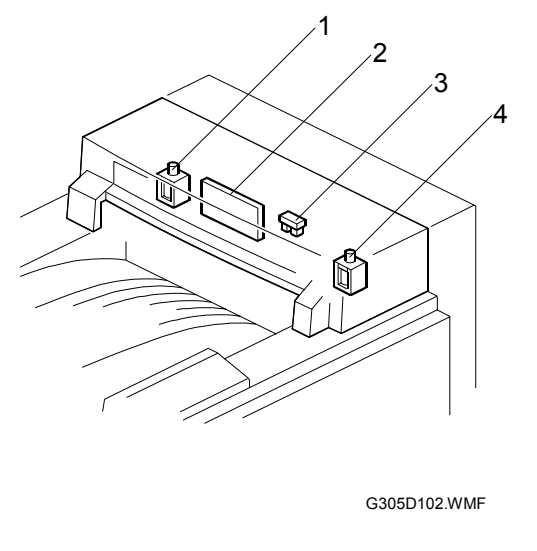
G070V108.WMF

Duplex Unit



G303D102.WMF

Interchange Unit



G305D102.WMF

Model U-P1

Symbol	Name	Index No.	P to P
Motors			
M1	Polygonal mirror motor	22	J5
M2	Charge corona wire cleaner motor	1	A4
M3	Fusing unit motor	45	H2
M4	Paper feed motor	56	H2
M5	Main motor	48	I2
M6	Development motor	51	I2
Magnetic Clutches			
CL1	Paper feed clutch	57	J5
CL2	By-pass paper feed clutch	43	D3
CL3	Registration clutch	58	J5
CL4	Development clutches - K	49	J4
CL5	Development clutches - C	52	J4
CL6	Development clutches - Y	50	J4
CL7	Development clutches - M	54	J4
CL8	OPC belt cleaning clutch (not Transfer belt clutch)	55	J5
CL9	Transfer belt cleaning clutch	46	J5
Switches			
SW1	Front cover switch	40	G2
SW2	Right cover switch	29	G2
SW3	Interlock switch	30	G2
SW4	Exit cover switch	38	G2
SW5	Main switch	21	—
SW6	Paper size switch	53	E5
SW7	Fusing unit switch	15	D5
SW8	OPC belt waste toner bottle switch	9	J3

Symbol	Name	Index No.	P to P
SW9	Transfer belt waste toner bottle switch	6	J3
Sensors			
S1	Registration sensor	33	B4
S2	Paper near-end sensor	35	A4
S3	Paper feed sensor	34	A4
S4	Paper end sensor	36	A4
S5	Bypass paper end sensor	44	D3
S6	Paper exit sensor	39	F2
S7	Fusing exit sensor	32	G2
S8	Paper overflow sensor	31	F2
S9	New PCU sensor	4	J4
S10	ID sensor	3	C5
S11	Belt mark sensor	5	J4
S12	OPC belt waste toner sensor	8	J3
S13	Transfer belt waste toner sensor	7	J4
S14	Toner end sensor - K, C, M, Y	18, 20	H2
S15	Oil end sensor	17	C5
S16	Temperature/humidity sensor	66	C5
Solenoids			
SOL1	Transfer belt cleaning contact solenoid	47	J5
SOL2	Paper transfer solenoid	59	J4
SOL3	By-pass pick-up solenoid	42	D3
PCBs			
PCB1	BCU (Base-engine Control Unit)	62	E6
PCB2	IOB (Input Output Board)	61	G4
PCB3	Laser synch. detection board	19	J7
PCB4	LDB (Laser Diode Board)	23	H7

Symbol	Name	Index No.	P to P
PCB5	Operation panel	41	F7
PCB6	Front/rear development boards	18, 20	H2
PCB7	Printer controller	68	C7
PCB8	High voltage supply board	69	B5
PCB9	PSU (Power Supply Unit)	65	D4
PCB10	USB 2.0 board	67	A7
PCB11	Memory chip I/F	24	C5
Lamps			
L1	Heating roller fusing lamp	14	C5
L2	Pressure roller fusing lamp	13	C5
L3	Quenching lamp	2	A4
Fan Motors			
FAN1	Fusing unit fan	60	J3
FAN2	Controller fan	63	J3
FAN3	Ozone fan	64	C4
Others			
ID1	ID chips - K development units	28	C4
ID2	ID chips - C development units	26	C4
ID3	ID chips - Y development units	27	C4
ID4	ID chips - M development units	25	C4
TS1	Heating roller thermostat	16	D5
TF1	Pressure roller thermofuse	10	D5
TH1	Heating roller thermistor	12	C5
TH2	Pressure roller thermistor	11	C5
H1	Tray Heater (option)	37	D3

Duplex Unit

Symbol	Name	Index No.	P to P
Motors			
M1	Inverter	5	A1
M2	Transport	7	A1
Switches			
SW1	Duplex Unit Open	2	A3
Sensors			
S1	Entrance	1	A3
S2	Exit	8	A3
S3	Cover	4	A3
Solenoids			
SOL1	Inverter Gate	3	A1
PCB1	Main	6	A2

Interchange Unit

Symbol	Name	Index No.	P to P
Sensors			
S1	Paper exit	3	C3
Solenoids			
SOL1	Upper gate	1	C3
SOL2	Lower gate	4	C3
PCBs			
PCB1	Control board	2	C2